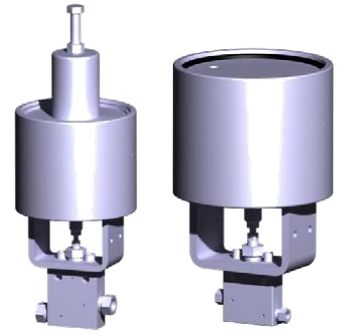


SPIR STAR 柱塞式气控阀

柱塞式气控阀有常开（弹簧开启 / 空气闭合）和常闭（空气开启 / 弹簧闭合），可以通过空气调节器、电磁阀或手动阀来控制、进气接口 1/8" NPT，气源要求在 35-120psi。



重载型气控阀（常闭）

阀件型号	孔径大小	最大工作压力	最小调节螺丝扭矩	打开阀门近似空气压力	全开阀近似空气压力	零件号后缀
HVMF4-20K-HPO-NC	1/8"	20,000psi	50 in.lb	70psi	95psi	-NC
HVMF6-20K-HPO-NC	13/64"	20,000psi	55in.lb	70psi	95psi	-NC
HVMF9-20K-HPO-NC	5/16	20,000psi	55in.lb	70psi	95psi	-NC
HVMF12-20K-HPO-NC	5/16"	10,000psi	55in.lb	70psi	95psi	-NC
HVMF16-20K-HPO-NC	5/16"	7500psi	55 in.lb.	70psi	95psi	-NC
HVHF4-30K-HPO-NC	3/32	30,000psi	50 in.lb	60psi	75psi	-NC
HVHF6-30K-HPO-NC	1/8"	30,000psi	55 in.lb.	60psi	75psi	-NC
HVHF9-30K-HPO-NC	1/8"	30,000psi	55in.lb	60ps	75psi	-NC
HVHF4-60K-HPO-NC	1/16"	60,000psi	50 in.lb	50os	65psi	-NC
HVHF6-60K-HPO-NC	1/16"	60,000psi	55 in.lb.	50psi	65psi	-NC
HVHF9-60K-HPO-NC	1/16"	60,000psi	55in.lb	50psi	65psi	-NC
HVXF4-100K-HPO-NC	3/32"	100,000psi	55in.lb	90psi	140psi	-NC
HVXF6-150K-HPO-NC	3/32"	150,000psi	55in.lb	90psi	140psi	-NC

重载型气控阀（常开）						
阀件型号	孔径大小	最大工作压力	最小调节螺丝扭矩	打开阀门近似空气压力	全开阀近似空气压力	零件号后缀
HVMF4-20K-HPO-NO	1/8"	20,000psi	50in.lh	70psi	95psi	-NO
HVMF6-20K-HPO-NO	13/64	20,000psi	55in.lb	70psi	100psi	-NO
HVMF9-20K-HPO-NO	5/16"	20,000psi	55 in.lb.	70psi	100psi	-NO
HVMF12-20K-HPO-NO	5/16"	15,000psi	55in.lb	70psi	100psi	-NO
HVMF16-20K-HPO-NO	5/16"	10,000psi	55 in.lb	70psi	100psi	-NO
HVHF4-30K-HPO-NO	3/32"	30,000psi	50 in.lb	60psi	60psi	-NO
HVHF6-30K-HPO-NO	1/8"	30,000psi	55 in.lb	60psi	60psi	-NO
HVHF9-30K-HPO-NO	1/8"	30,000psi	55 in.lb.	60psi	60psi	-NO
HVHF4-60K-HPO-NO	1/16"	60,000psi	50 in.lb	50psi	55psi	-NO
HVHF6-60K-HPO-NO	1/16"	60,000psi	55 in.lb.	50psi	55psi	-NO
HVHF9-N60K-HPO-NO	1/16"	60,000psi	55 in.lb.	50psi	55psi	-NO
HVXF4-100K-HPO-NO	3/32"	100,000psi	55in.lb	90psi	140psi	-NO
HVXF6-150K-HPO-NO	3/32"	150,000psi	55 in.lb.	90psi	140psi	-NO